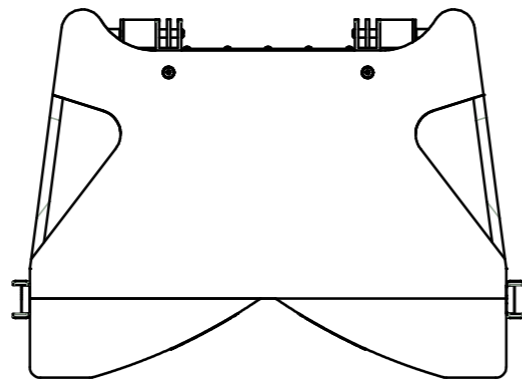
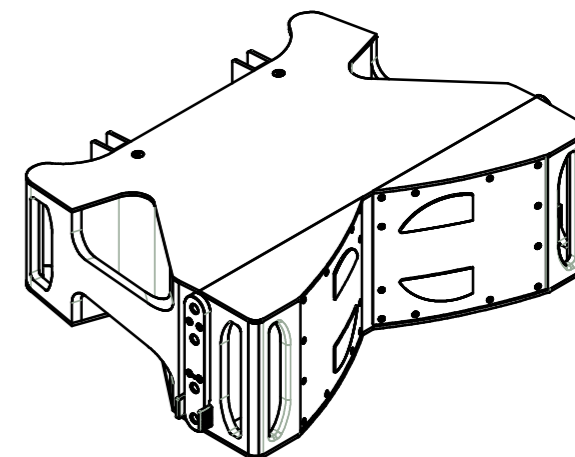
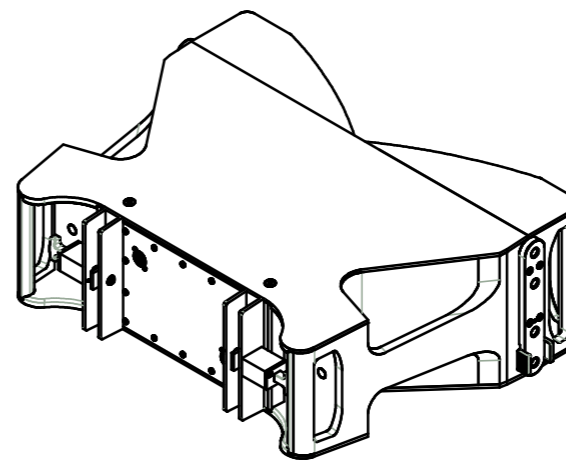


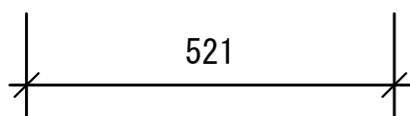
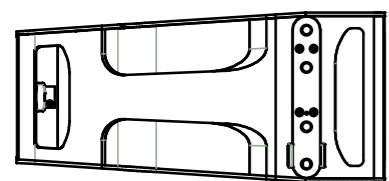
TOP



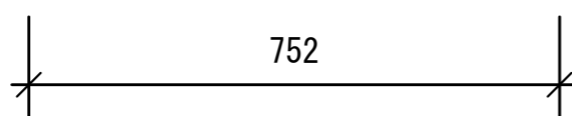
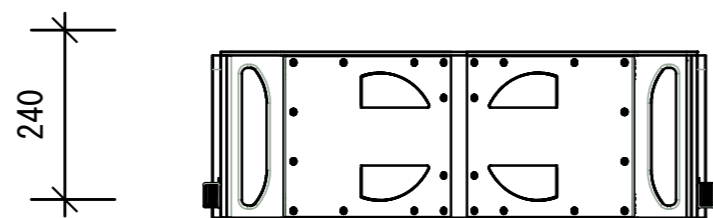
# OUTLINE MANTAS



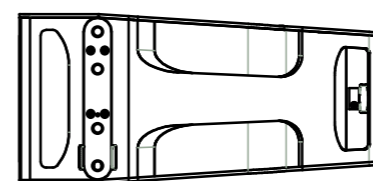
LEFT



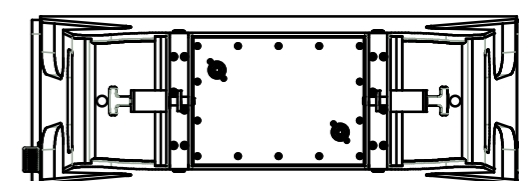
FRONT



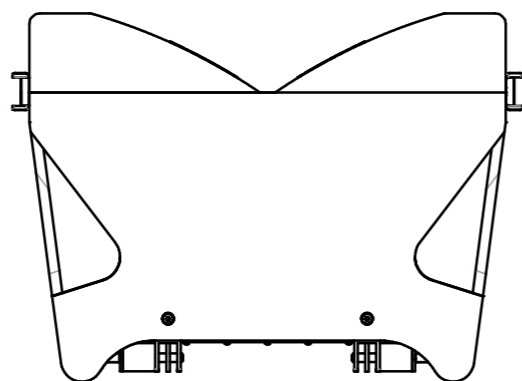
RIGHT



REAR



BOTTOM



FREQUENCY: 90Hz-18kHz

MAX SPL: 138dB

COVERAGE: 120°

CONNECTOR: NL4\*2

WIDE: 752mm

HEIGHT: 240mm

DEPTH: 521mm

WEIGHT: 24kg