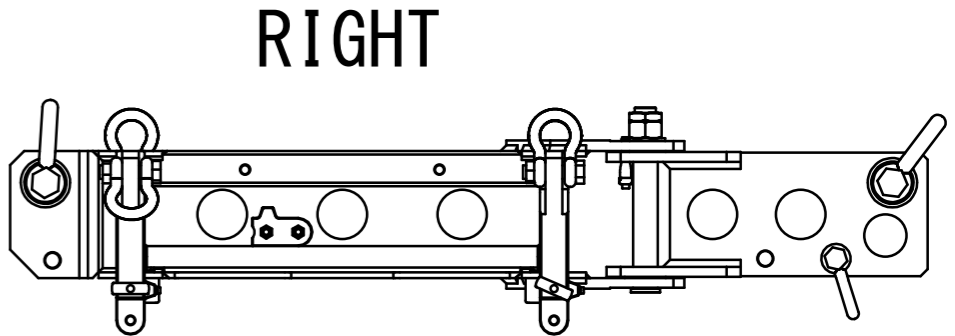
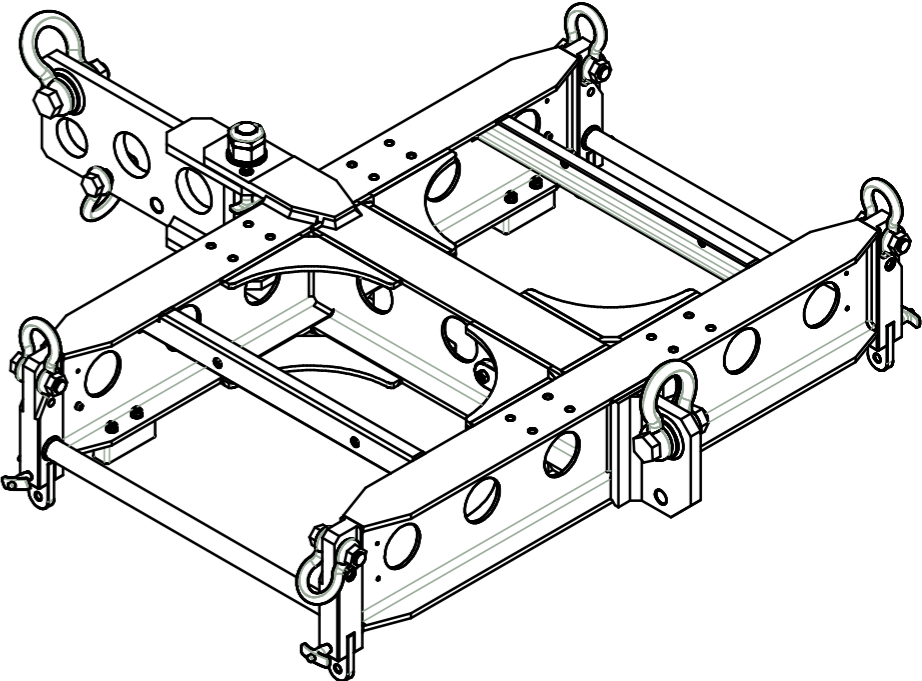
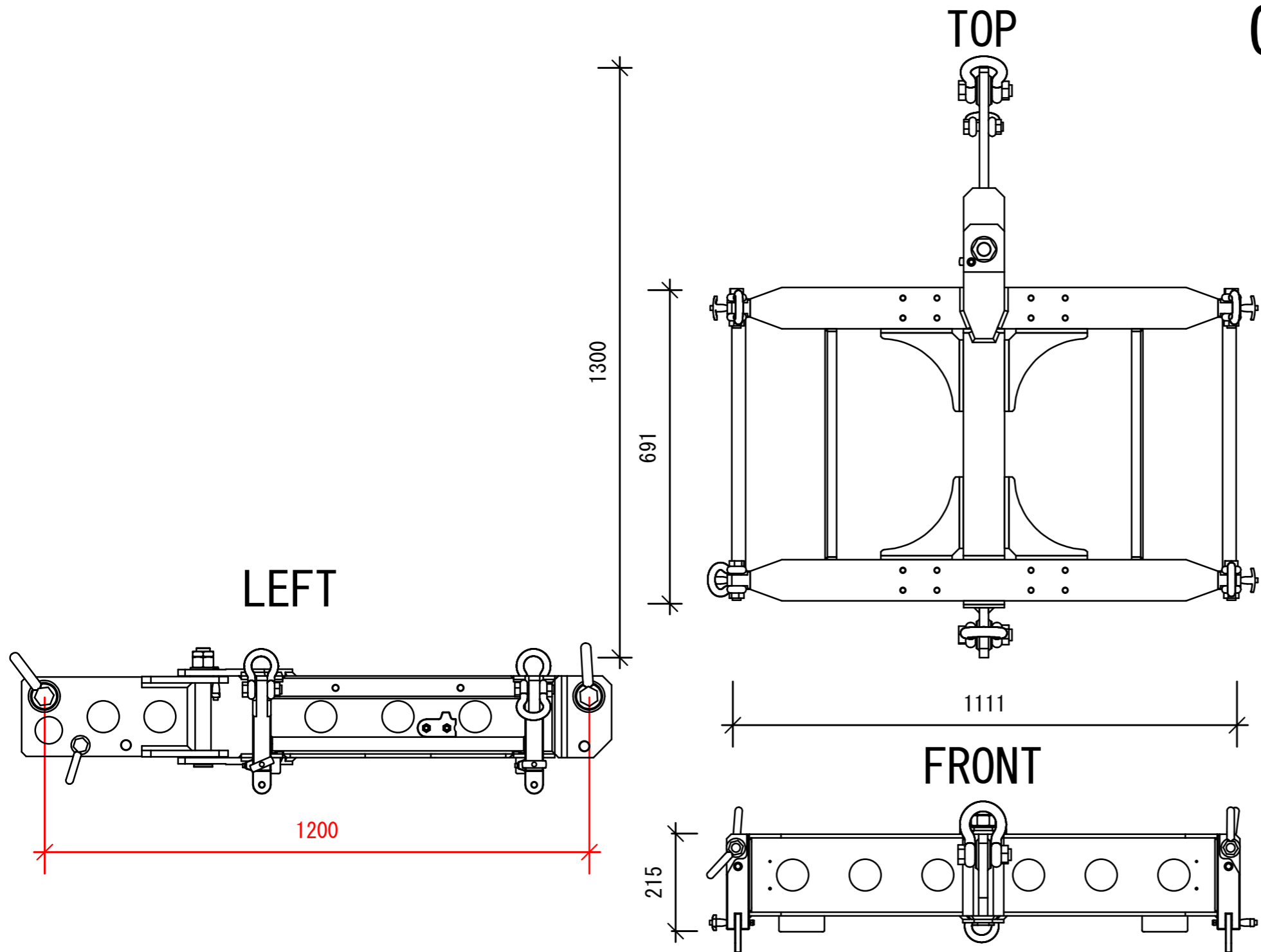


OUTLINE FRM-GT02



MAX LOAD: GT0*24
WIDE: 1111mm
HEIGHT: 215mm
DEPTH: 1300mm
FLYING POINT: 1200mm
WEIGHT: 107kg